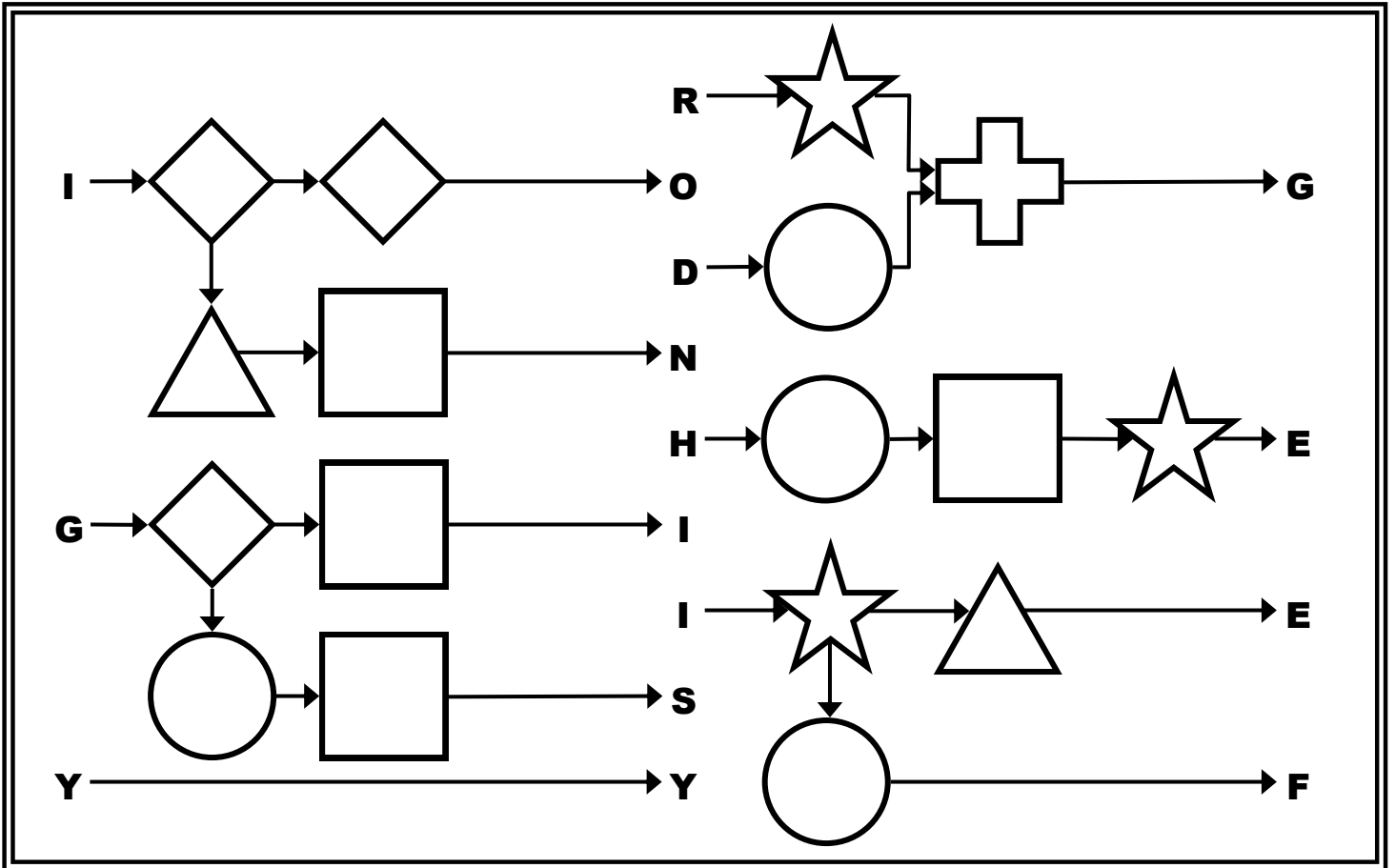


# Lettergate

By Justin Marks

This was the T-Shirt Puzzle.



The inputs down the left read COOKING SPICE.

