

Finding the Source

Solution

By Andy Crane

This is the final meta-puzzle and relies on solutions to other puzzles. According to Mary's notes there are four parts. In order to solve this, you needed tablets with special characters which is distributed upon solving the first meta puzzle (Dark Cavern).

Part 1

Answers corresponding to this part of the puzzle are Aruba, Cape Town, Suriname, and Los Angeles. Using the appropriate characteristics matching these answers, you get these four characters:



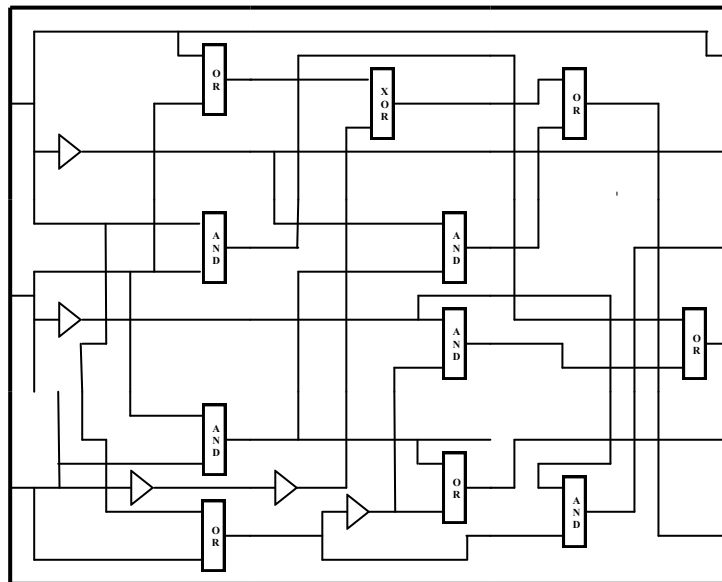
If you have deciphered the language, the only logical way to place these characters along with what is given to you is:



The starting location is the SE corner of the large forest.

Part 2

The pieces of the puzzle are selected by choosing those where the first and last letter on the back correspond to other puzzle solutions. Constructing the correct pieces of the puzzle and arranging them correctly gives:



This will give the following 8 characters to plug in:



This tells you to move south 2, west 3, north 5, and west 1.

Part 3

Answers corresponding to this part are:

Walter Cronkite
Elton John
Wayne Gretzky
Eddie Vedder
Zinedine Zidane

As hinted in Mary's notes, order from oldest to youngest, find the appropriate characteristics, and read the equation off.

X\X X//X X\X X\X

This translates to $(73 \times 8) - 321$, or 263.

Final Answer

Starting from the location found in part 1 and following the direction in part 2, you end up at the **NW CORNER OF THE SMALL BEACH**. The code to unlock the device is **263**.